

Priefert® FENCE

"Good Fences Make Good Neighbors."



www.Priefert® Fence.com



THE BENEFITS of PRIEFERT FENCE

For over 40 years, Priefert Manufacturing has built a reputation for quality steel products. The innovative and practical design of Priefert Fence is just another example of how Priefert rises to answer the needs of the fencing industry and its customers.

highest quality

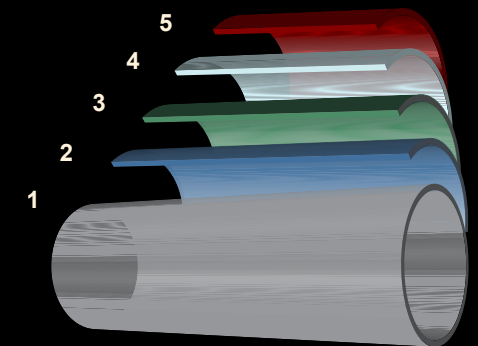
Priefert Fence products begin with the highest quality materials available, giving them the strength to weather the test of time while providing an aesthetically pleasing look that enhances any property. Our architectural grade powder coat provides a lasting barrier against the elements and gives the fence the durability and allure that surpasses the competition.

more versatility

We offer more versatility than any of the competition. Priefert Fence is the leader in adaptability, functionality, and assembly. While many other types of fences require exact spacing and tedious, precise measuring, our products offer the freedom you need, whatever the requirements.

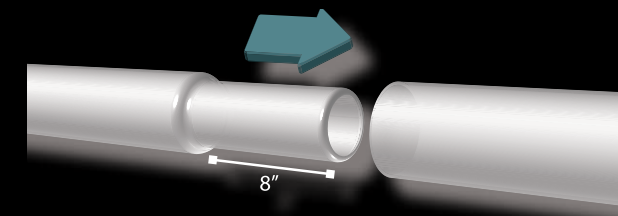
BUILT TO LAST

Beginning with galvanized metal, Priefert tubing is passed through a phosphate wash, cleaning the metal of any impurities that may cause the finish to fail. A conversion coating is then applied for added adhesion. Then, the tubing is powder coated using a high quality architectural grade powder with UV inhibitors to help resist fading. The final step in manufacturing is for the powder to be baked on at high temperature which helps achieve a high gloss or matte finish.



(1) Galvanized Pipe (2) Phosphate Adhesion Wash (3) Conversion Coating (4) UV Inhibitor (5) Powder Coating

Rail-in-Rail "Swedge" Connection



Priefert's rail-in-rail "swedge" design allows you to construct a fence with a single rail running from post to post in any length creating a beautiful fence that flows with the contour of your land.

DESIGNED FOR YOUR SPECIFIC NEEDS

Priefert Fence can be ordered to your exact specifications. Gates are also available for urban and commercial applications. Our in-house engineers and design staff are ready to help you make your dreams a reality.

Whether self-installed or contracted, our fence simply saves time, money, labor and out lasts the competition.

Build it one time, the right way, with Priefert Fence.

AVAILABLE COLORS

1. Gunmetal Grey
 2. Satin Black*
 3. Barn Red
 4. Forrest Green
 5. Saddle Brown*
- *Standard Colors



Our Friendly
Sales Team

will work with you on a fence layout to fit your specific needs.

Call today for a *Free Quote!*

Toll Free 800-527-8616

CAN YOUR FENCE STAND? *the* TEST OF TIME?

"Good Fences Make Good Neighbors"

It has been said that "Good fences make good neighbors." However, "good fences" are hard to find. It's true that nothing dresses up a home place, farm, or ranch better than an aesthetically pleasing, fully functional fence. It completely changes the entire landscape for the better and increases property value. On the other hand, nothing looks worse than a broken down or unpainted fence. A rundown fence makes a home place look abandoned and unkept and is a safety hazard to livestock. Although most all fences look great at first, the big questions are what it will look like in five or ten years, will it be safe and serviceable, and how much time and money will I have to spend to keep it looking like the day it was installed?

wood... high maintenance

Wood fences are among the most beautiful when they are first installed. They have great visual appeal and conjure up images of Kentucky Thoroughbred farms and rolling green hills. However, despite their popularity, most wood fence owners will tell you wood fences are the highest maintenance of all types of fences. Wood fences must be treated or painted often. Depending on the type of paint, regional climate, and other factors, the average wood fence owner can expect a costly paint or seal job every two years or so to maintain the appearance and protect the wood which is very vulnerable to the weather. Over time, nails begin to pull out of the posts and rail boards begin to fall. Finally, cracked or splintered lumber becomes unstable, deeming the fence non-functional, unappealing, and unsafe. Also, wood fences are not practical for all types of livestock. Cattle and horses tend to graze through and lean against the rails as they do with any fence, thus loosening nails and breaking boards. Wood fences are among the most expensive to install, have shorter life spans than steel, and require the most maintenance.

pipe... expensive & demanding

Pipe and rod fences are sturdy and can also be aesthetically pleasing depending on the installer. However, traditional pipe and rod fences can be demanding and expensive to maintain. Cracked or broken welds are common and require skilled labor and machinery most people do not have around the house. That puts the owner at the mercy of the fence builder, which can cost time and money over the years. Coupled with chemical rust treatments and paint every three to five years, maintenance is a continuous process on these fences.

vinyl... mold & mildew

Vinyl or plastic fences, like wood fences, are very eye catching. However, many people feel they are among the most impractical of all fences for the containment of livestock. Since horses and cattle tend to lean on fences and graze through rails, owners of vinyl fences are constantly repairing rails that simply "pop out". Not to mention the danger involved with livestock leaving their confinement and roaming onto highways. Also, depending on the region, weather can play havoc on the material causing it to deteriorate over time. Mildew and mold are a battle for many fence owners but some vinyl fences tend to host these bacteria more so than other materials. Vinyl fences are also among the most expensive of all types of fences.

wire... unsafe, sagging wires

Barbed or woven wire fences are among the least expensive fences to install and usually serve fine for containment. However, they may be unsafe for certain livestock, especially equine, which has led to a decrease in its popularity. Although still the most common type of fence in the United States, it lacks the visual appeal that most people desire and does require constant maintenance due to sagging wires and t-posts being knocked down by livestock.

www.PriefertFence.com

THE PONDEROSA WOOD POST FENCE

Priefert's Ponderosa wood post fence is a revolution in the fence industry. We've combined the aesthetic look of the western lifestyle with the quality, durability, and convenience of Priefert's powder-coated tubing. This makes Ponderosa fencing a great addition to any ranch or home place.

ponderosa wood posts

The Ponderosa wood post is designed to last. The beveled shape of the holes that are drilled into our posts allow for superior rail stability while permitting the rail to flow easily over various types of terrain. All of our wood posts are drilled first, then pressure-treated. This allows the treatment to reach the outside of the post, as well as the exposed surface inside the drilled holes, to ensure the longevity of the wood. Additionally, the top of each wood post is domed for safety and to assist with water shed.

drilled for versatility

Thoughtful engineering went into the design of the holes that are drilled into our wood posts. The holes drilled for tubing are cone-shaped to allow for flexibility over rolling terrain and in and around curves. This innovative design fits the outer diameter of the tubing in the center of the hole, while allowing the rail freedom of movement toward the outer dimensions of the drilled post.

Inner bevel provides superior stability

Outer bevel allows pipe to conform to various terrains

Drilled then pressure treated for long life and durability

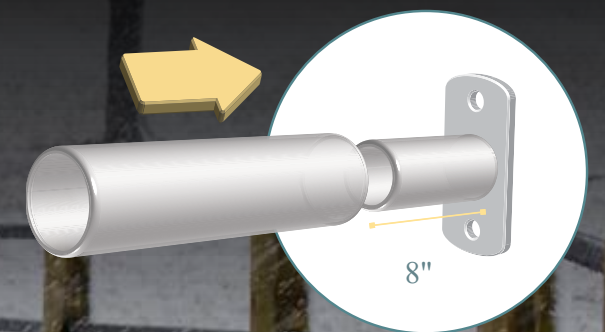
AVAILABLE SIZES AND SPECIFICATIONS

Post Lengths	7.6' (90")
Post Diameter	6" Dome Topped
Rail Lengths	14' (16 ga.) & 16' (13 ga.)
Rail Sizes	1.9" OD
Rail Gauges	16 ga. (14') & 13 ga. (16')



effortless connection

Priefert's rail-in-rail "swedge" design allows you to construct a fence with a single rail running from post to post in any length, creating a beautiful fence that flows with the contour of your land. At corners and gates, Ponderosa Post Connectors are used to connect the tubing to solid posts. Utilizing the same "swedge" concept, these post connectors allow for maximum versatility, as well as the expansion and contraction of the tubing. Each end of the tubing is cut to exact length, the connector slides or "swedges" into the tubing, and connects to the post with two lag bolts.



Ponderosa Fence Post Connectors provide an

effortless
CONNECTION

to end posts using our

SWEDGE DESIGN

that allows for *expansion and contraction* during the changing seasons.



PONDEROSA GATES



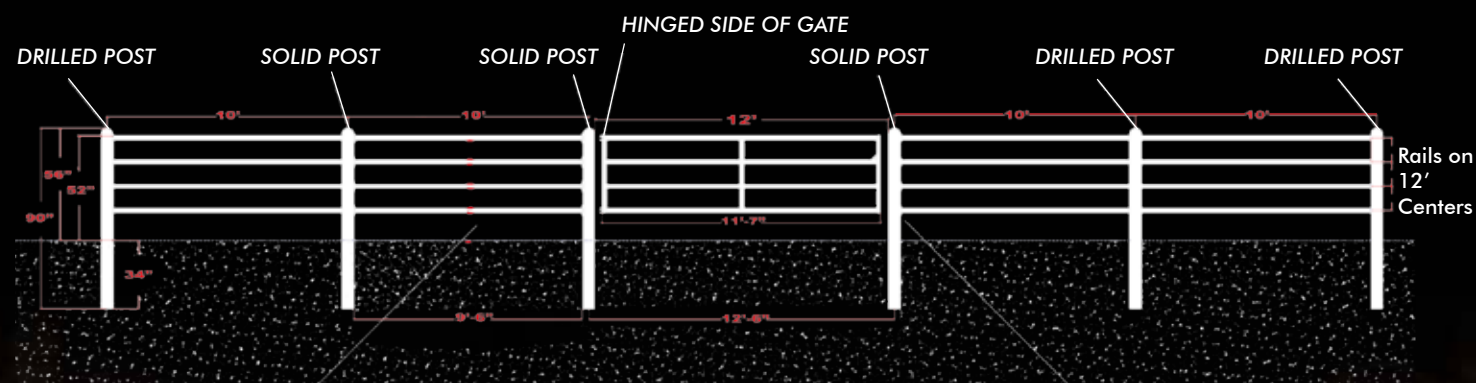
Priefert's Ponderosa Gate is specifically designed for the Ponderosa line of fencing. The Ponderosa Gate attaches to the wood posts using a decorative clamp system that allows you to adjust the gate's position before drilling your holes.

The 4 rail Ponderosa Gates align to each of the rails' centers, integrating perfectly into the existing flow of the fence. Each Ponderosa Gate also comes with an alignment bolt to quickly level the gate's pitch. Adjustment is a snap with the use of a standard impact wrench or socket set.

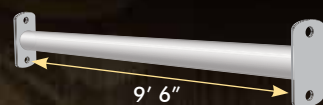
Easily adjust gate pitch with alignment bolt

***All gates are NOT galvanized unless specified**

PONDEROSA 4 RAIL LAYOUT *with H-BRACES*



H-BRACE USED FOR 10', 12', 14' & 16' GATES ONLY



POST CONNECTORS USED AT THE END OF A RUN



PRIEFERT GATES



ECONOMY GATES
50-1/2" TALL
4' - 6' - 8' - 10' - 12' - 14' - 16' - 18' - 20'
**Available Galvanized 4' - 16'*



WIRE FILLED ECONOMY GATES
50-1/2" TALL
4' - 6' - 8' - 10' - 12' - 14' - 16'
**Available Galvanized 4' - 16'*



D-GATES
47" TALL
4' - 6' - 8' - 10' - 12' - 14' - 16'



ROUGH STOCK GATES
60" TALL
8' - 10' - 12' - 14' - 16'



BULL GATES
50-3/4" TALL
4' - 6' - 8' - 10' - 12' - 14' - 16' - 18' - 20'
**Available Galvanized 4' - 16'*

GATE ACCESSORIES



Single Piston Lever Latches



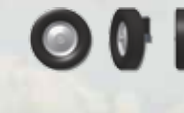
Sliding Tucker Latches



Gate Latches



Double Piston Lever Latches



Gate Wheel





Call today for a *Free Quote!* Toll Free 800-527-8616

www.Priefert Fence.com



*Our Fence Looks
Good in Every Season!*

Natural Wood Disclaimer

Ponderosa Fence posts are made from real wood. Because wood is a natural material, every post will have a unique appearance, often with naturally-occurring variations in color, texture, and grain pattern. All wood products will absorb and release moisture for a lifetime, leading to changes in color and possible cracking. This is a natural process over which Priefert Mfg., Inc. has no control. Due to the normal nature of this process, Priefert cannot be held accountable for any material that degrades due to these natural processes and does not accept returns or replacements on Ponderosa Wood Posts for these reasons.



CHECK OUT THESE & HUNDREDS OF OTHER GREAT PRODUCTS



Cattle Equipment



Premier Horse Stalls



Ponderosa Fence



Arenas & Round Pens



Roping Equipment



Horsewalkers



Equine Equipment



Canine Enclosures



Poultry Equipment