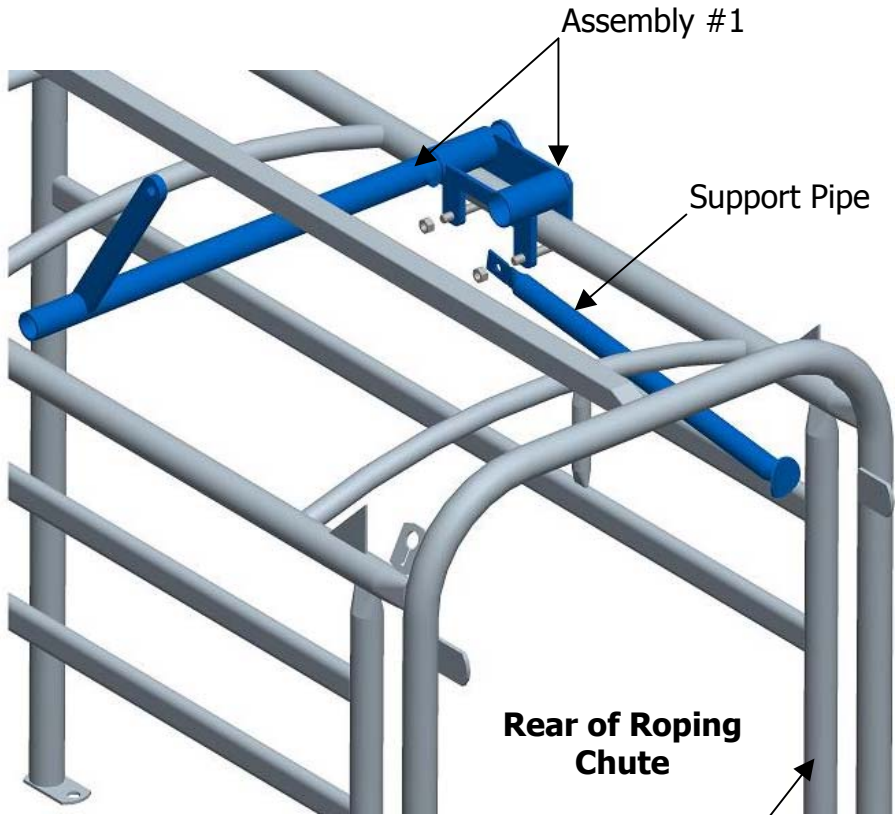


# STEER PUSHER ASSEMBLY INSTRUCTIONS



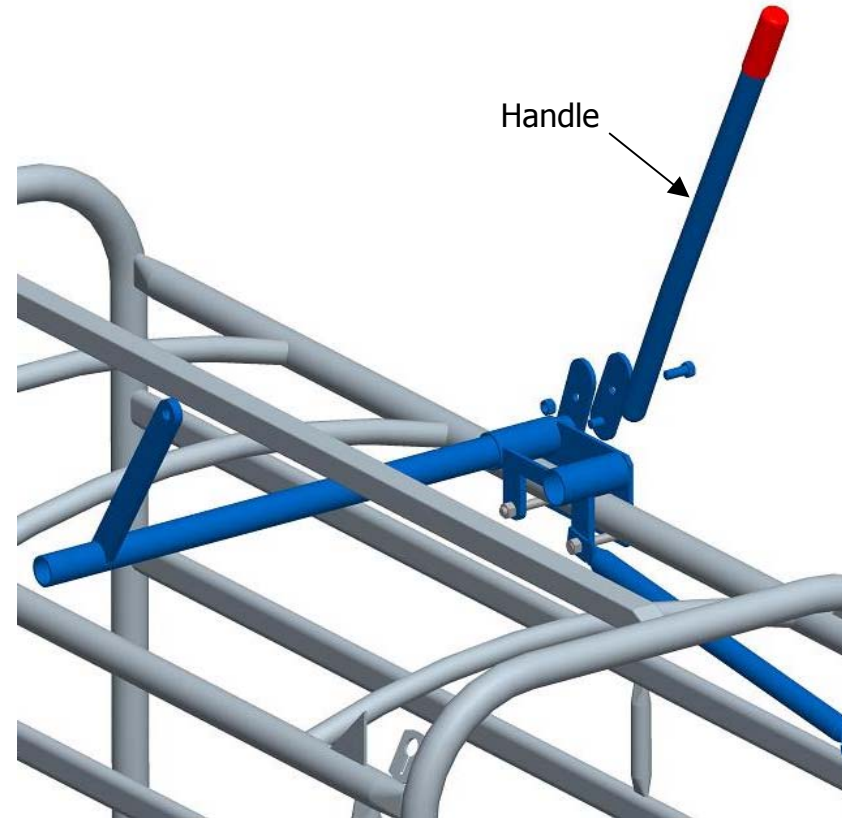
# STEER PUSHER ASSEMBLY INSTRUCTIONS



Rest support pipe against this vertical pipe on the Roping Chute

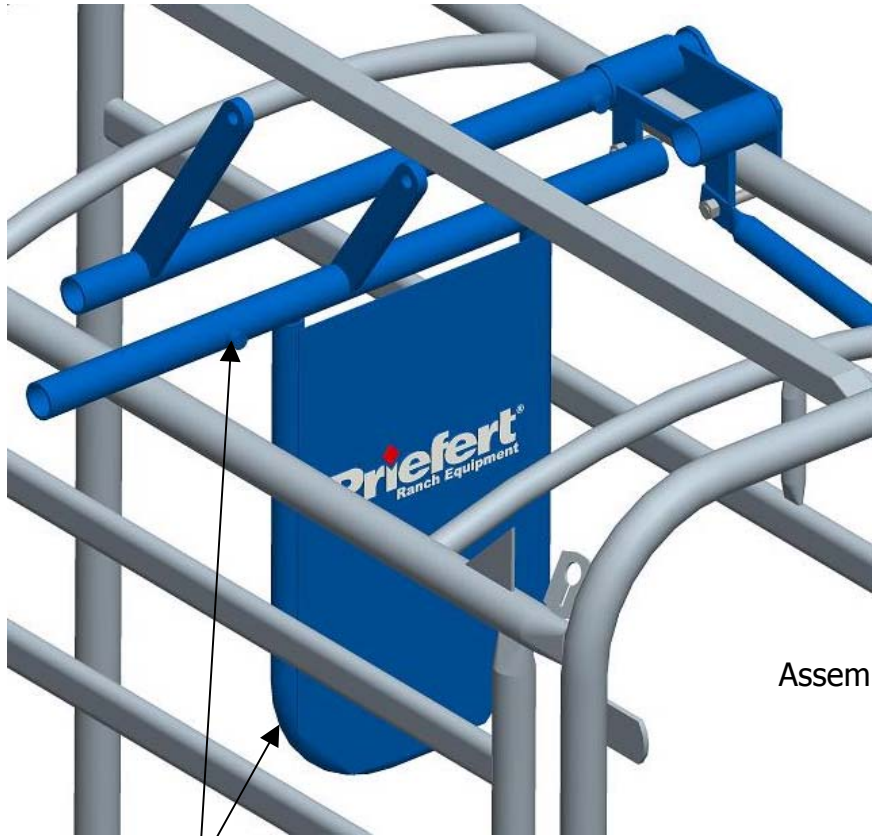
**Step 1:** Take the Steer Pusher Assembly #1 and place it onto the Roping Chute. Next insert the 1/2"x3-1/2" bolts to hold the Assembly in place.

**Step 2:** Take the Support Pipe and set it into place against the vertical pipe at the rear of the Roping Chute. Then attach it to Assembly #1 by using the 1/2" nuts provided.



**Step 3:** Rotate Assembly #1 up so that you can secure the Handle to it using the 1/2"x1-1/4" bolt provided.

# STEER PUSHER ASSEMBLY INSTRUCTIONS

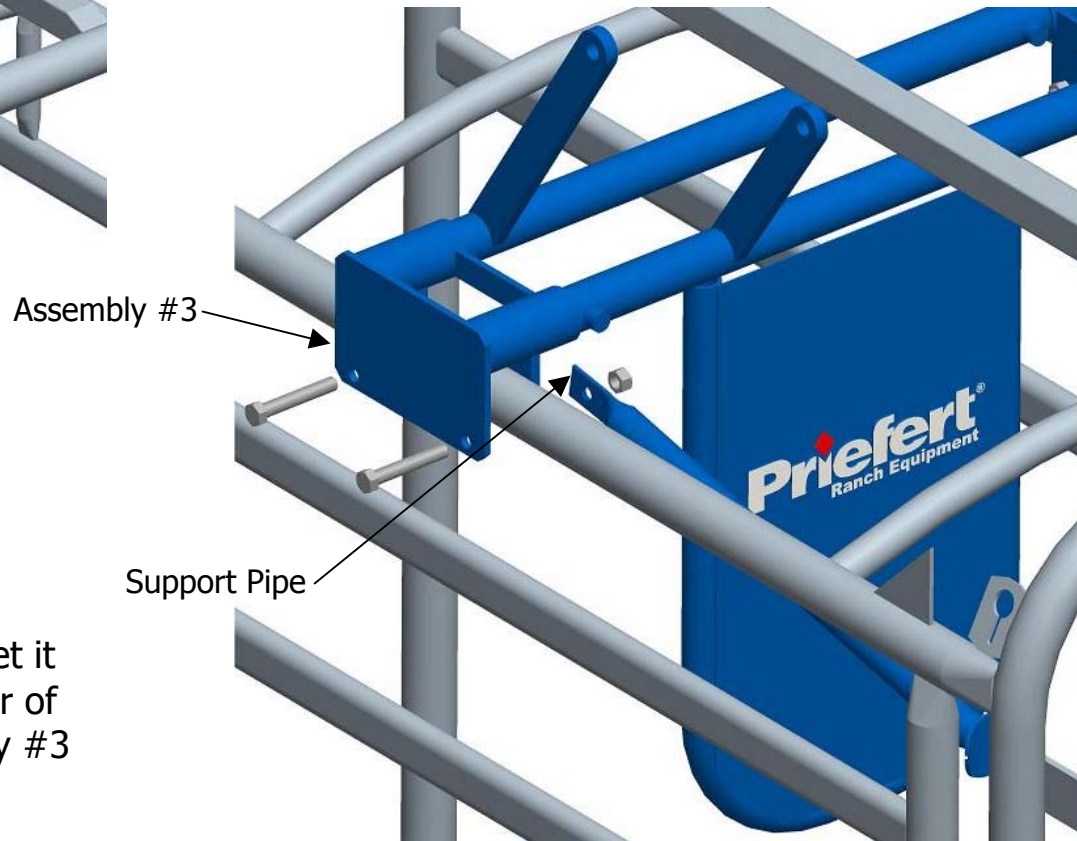


Assembly #2

**Step 6:** Take the other Support Pipe and set it into place against the vertical pipe at the rear of the Roping Chute. Then attach it to Assembly #3 by using the 1/2" nuts provided.

**Step 4:** Take Steer Pusher Assembly #2 and insert it into Assembly #1.

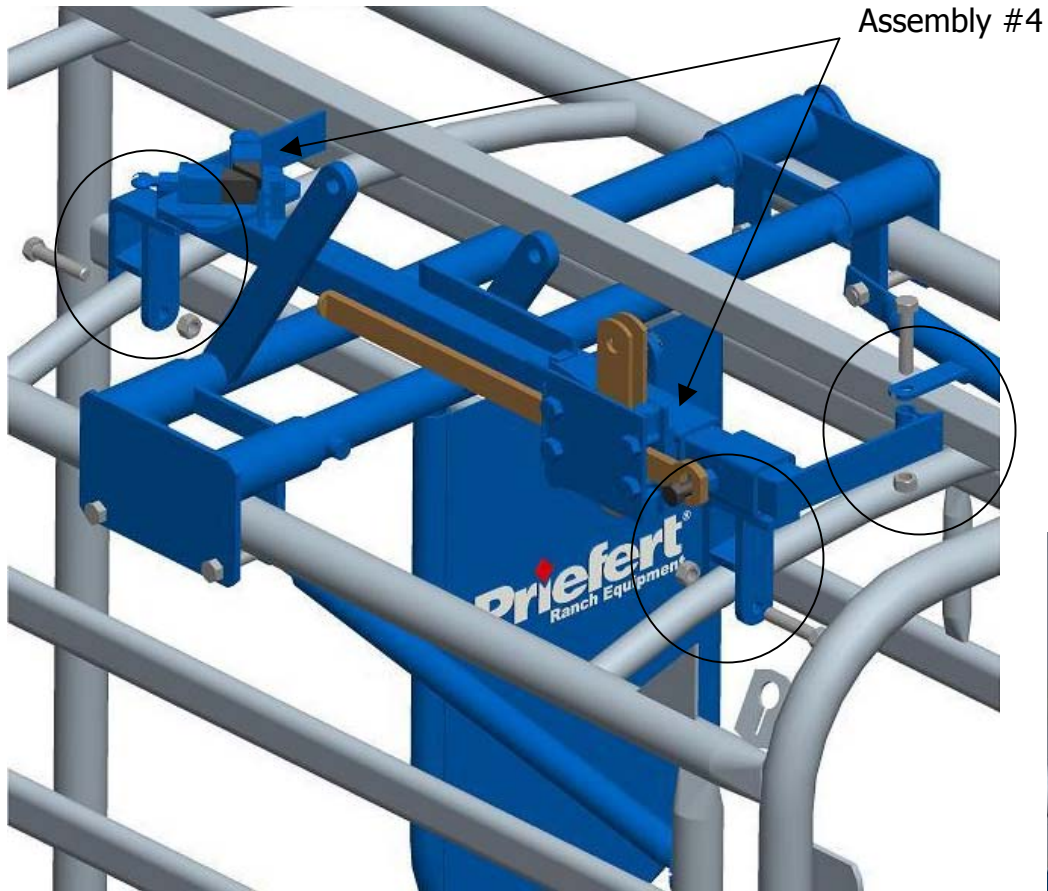
**Step 5:** Take Steer Pusher Assembly #3 and insert Assembly's #1 and #2 into it, then place it down onto the Roping Chute. Insert the 1/2"x3-1/2" bolts to hold the Assembly in place.



Assembly #3

Support Pipe

# STEER PUSHER ASSEMBLY INSTRUCTIONS

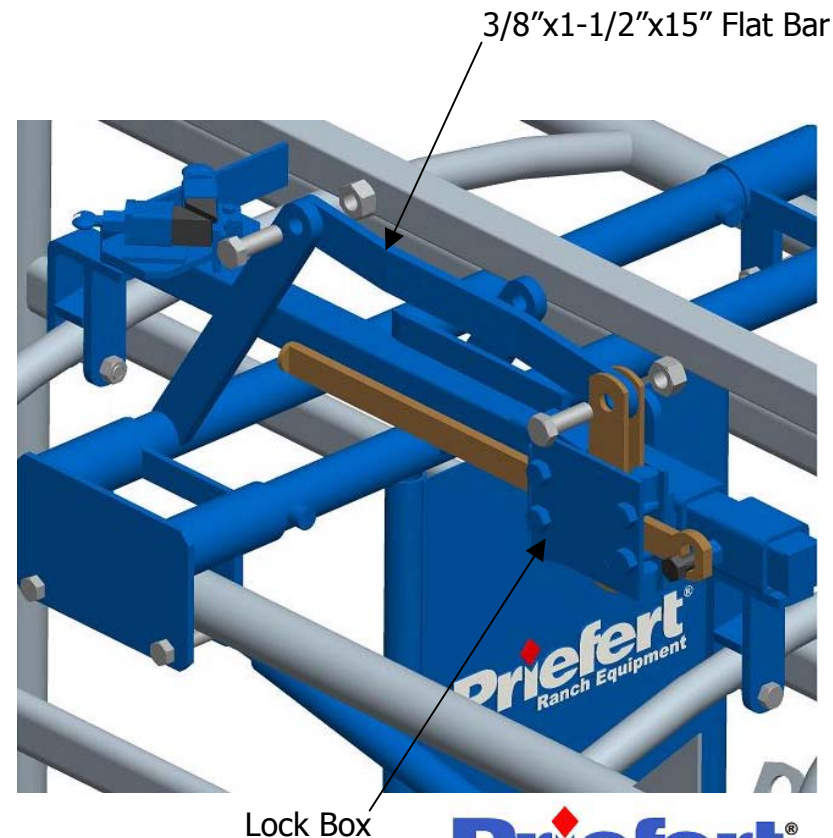


**Step 7:** Take Steer Pusher Assembly #4 and place it onto the Roping Chute's top arched bars.

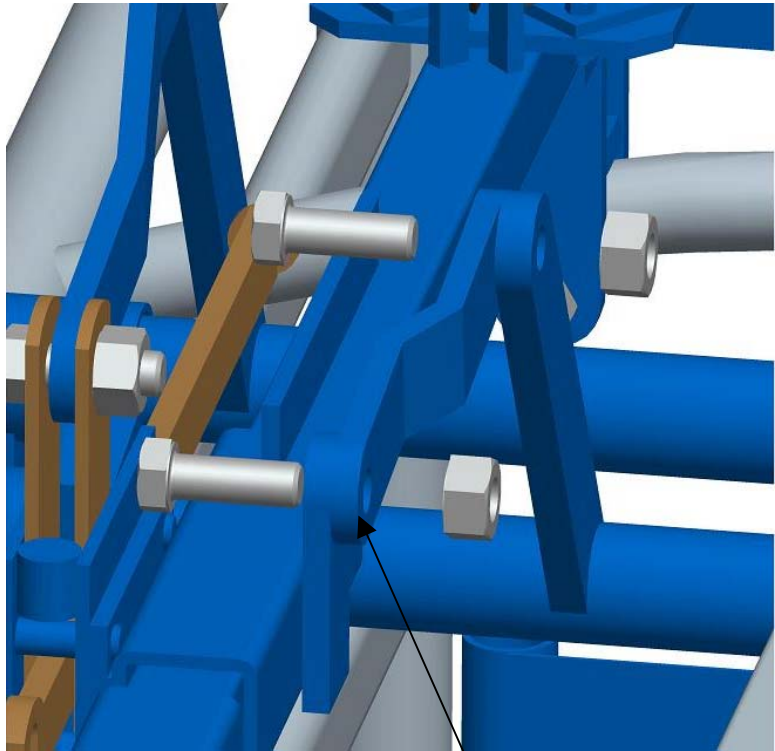
**Step 8:** Secure it into place at the three circled locations using the 1/2"x2-1/2" bolts provided.

**Step 9:** Take the 3/8"x1-1/2"x15" bent Flat Bar and attach it on the inside of the flat bar on Assembly #1 and in between the two ears of the Lock Box with the 5/8"x1-1/2" bolts provided.

**NOTE:** The bend in the flat bar should be towards the inside when installed.



# STEER PUSHER ASSEMBLY INSTRUCTIONS



3/8"x1-1/2"x8-1/2"  
Flat Bar

**NOTE:** The bend in the flat bar should be towards the inside when installed.

**Thank you for  
choosing a Priefert™  
Product.**

**Step 10:** Take the 3/8"x1-1/2"x8-1/2" bent Flat Bar and attach it on the inside of the flat bar on Assembly #2 and on the outside of Assembly #4 using the 5/8"x1-1/2" bolts provided. This concludes the Steer Pusher Installation Process.

