

**MODEL NO. PHD065**

## **OWNER'S MANUAL**

### **ASSEMBLY & OPERATING INSTRUCTIONS**



***THIS SAFETY ALERT SYMBOL IDENTIFIES IMPORTANT SAFETY MESSAGES IN THIS MANUAL. FAILURE TO FOLLOW THIS IMPORTANT SAFETY INFORMATION MAY RESULT IN SERIOUS INJURY OR DEATH.***

# Table of Contents

	Page(s)
Important Safety Information .....	1-4
Intended Use .....	1
Personal Protective Equipment .....	1
Safety Decals .....	1-3
General Safety and Preparation .....	3
Operating Safety .....	3-4
Repair and Maintenance Safety .....	4
Assembly Instructions .....	5
General Maintenance .....	6
Operating Instructions .....	6
Parts List .....	7
Parts Breakdown Illustration .....	8
Cutting Edges and Point Parts List .....	9
Specifications .....	Back
Ordering Information .....	Back



# IMPORTANT SAFETY INFORMATION



**WARNING:** Read and thoroughly understand all instructions and safety information before assembling or operating this post hole digger. Failure to do so may cause serious injury or death. Do not allow anyone to operate this post hole digger who has not read this manual. As with all power equipment a post hole digger can be dangerous if assembled or used improperly. Do not operate this post hole digger if you have doubts or questions concerning safe operation. Call our customer service department at 1-800-527-8616 to address these concerns.

*Si no entiende ingles, se prefiere que busque alguien que interprete las instrucciones para usted.*

## INTENDED USE

This product is designed to dig holes in the soil when attached to the 3-point linkage system and power-take-off of a tractor.

It is **not** intended for any other use. Using the product for anything other than digging holes could result in serious injury or death.

## PERSONAL PROTECTIVE EQUIPMENT



**ALWAYS** use appropriate personal protective equipment such as protective eyewear, earware, gloves, safety shoes and hard hat when operating this post hole digger.

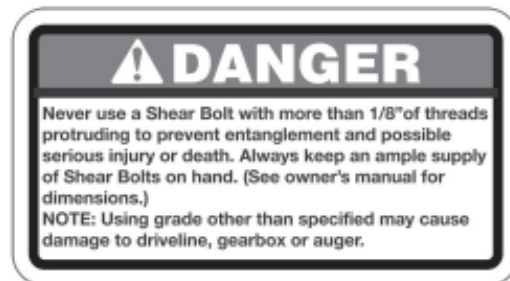
**NEVER** wear loose clothing or jewelry that could become entangled in the auger or driveline.

## SAFETY DECALS

**ALWAYS** replace missing or defaced decals. You can reorder by calling 1-800-527-8616.



LOCATION: FRONT OF GEAR BOX  
ORDER DECAL KIT: 520270PR



LOCATION: SIDES OF GEAR BOX  
ORDER DECAL KIT: 520270PR



# IMPORTANT SAFETY INFORMATION

**⚠ DANGER**

**TO PREVENT SERIOUS INJURY OR DEATH:**

*Si no entiende inglés, se prefiere que busque a alguien que interprete las instrucciones para usted.*

- Read and understand owner's manual before operating.
- Operate only from the tractor seat.
- Stay away from rotating parts. Keep others away.
- Do not dig around underground utility lines without checking with authorities.

IN003

**⚠ DANGER**



**Rotating Parts Hazard  
Keep Away**

**To Prevent Serious Injury or Death from Rotating Parts**

*Si no entiende inglés, se prefiere que busque a alguien que interprete las instrucciones para usted.*

- Read and understand owner's manual before operating.
- Do not operate without all shields and guards in place.
- Do not use body weight to force the auger into the ground or to locate auger point when auger is turning.
- Keep away from auger, cutting head and driveline when auger is running.

IN001

**⚠ DANGER**

**TO PREVENT SERIOUS INJURY OR DEATH:**

- Contact dealer, make sure your machine has all current safety guards and shields in place.
- Do not operate without all guards and shields in place.
- Do not operate when auger is higher than 12 inches above ground level. Doing so may cause driveline to bind, resulting in equipment damage or operator injury.
- Stop auger rotation before maneuvering, relocating or transporting.

IN003

**⚠ DANGER**

Do not attach this implement or attempt to operate until you have read and understood all instructions in the owner's manual. If an owner's manual is not available contact:

Priefert Manufacturing  
2603 S. Jefferson  
P.O. Box 1540  
Mt. Pleasant, TX 75456-1540  
Phone: 1-800-527-8616

LOCATION: BOOM  
ORDER DECAL KIT: 520270PR

**⚠ DANGER**

**TO PREVENT SERIOUS INJURY OR DEATH:**

*Si no entiende inglés, se prefiere que busque a alguien que interprete las instrucciones para usted.*

- Read and understand owner's manual before operating.
- Operate only from the tractor seat.
- Stay away from rotating parts. Keep others away.
- Do not dig around underground utility lines without checking with authorities.

IN003

**⚠ DANGER**



**ROTATING DRIVELINE CONTACT CAN CAUSE DEATH  
KEEP AWAY!**

**DO NOT OPERATE WITHOUT -**

- All driveline guards, tractor and equipment shields in place
- Drivelines securely attached at both ends
- Driveline guards that turn freely on driveline

**⚠ DANGER**

**TO PREVENT SERIOUS INJURY OR DEATH:**

- Contact dealer, make sure your machine has all current safety guards and shields in place.
- Do not operate without all guards and shields in place.
- Do not operate when auger is higher than 12 inches above ground level. Doing so may cause driveline to bind, resulting in equipment damage or operator injury.
- Stop auger rotation before maneuvering, relocating or transporting.

IN003

**NOTICE**

**540 RPM Maximum  
PTO Operating Speed**

LOCATION: PTO DRIVE SHAFT  
SHIELD  
ORDER DECAL KIT: 520270PR

**⚠ DANGER**

Do not attach this implement or attempt to operate until you have read and understood all instructions in the owner's manual. If an owner's manual is not available contact:

Priefert Manufacturing  
2603 S. Jefferson  
P.O. Box 1540  
Mt. Pleasant, TX 75456-1540  
Phone: 1-800-527-8616

LOCATION: TOP END OF BOOM ON  
GEAR BOX END  
ORDER DECAL KIT: 520270PR

**⚠ WARNING**

- This digger may not be compatible with all tractor models.
- Before operating, mount the boom and A-frame to the tractor.
- Raise up and lower the 3-point lift arms to the max and min positions.
- Check that there is no tractor/boom interference at any position.
- If there is not interference, continue with the assembly of the digger.
- Failure to do so may result in damage to the tractor, digger, and/or personal injury.

52056400

LOCATION: TRACTOR END OF  
BOOM  
ORDER DECAL KIT: 520270PR



# IMPORTANT SAFETY INFORMATION



LOCATION: TOP END OF AUGER TUBE  
PART NUMBER: DL52020500

**NOTE: IF THE OUTPUT SHAFT GUARD MENTIONED IN THE ABOVE DECAL IS MISSING, YOU MAY ORDER A REPLACEMENT BY CALLING US AT 1-800-527-8616**

## GENERAL SAFETY AND PREPARATION

**ALWAYS** make sure that anyone else who operates this post hole digger has read and understood the contents of the owner's manual and all safety decals on the product.

**ALWAYS** be certain that all members of the work party are familiar with the operation of the digger and the hazards associated with it.

**ALWAYS** check with authorities for underground utilities before digging a hole. Serious injury or death could result from contact with gas or electric lines.

**ALWAYS** check the tractor owner's manual for instructions on operation, attachment of 3-point equipment and safety.

**ALWAYS** make sure that all safety shields are in place and tightened down. Do not operate this post hole digger if any shields are missing.

**ALWAYS** make sure that the auger point and cutting edges are intact and in good working order before using this digger.

**NEVER** allow children or other persons to ride on the Tractor or Implement. Falling off can result in serious injury or death.

**NEVER** allow children to play on or around Tractor or Implement. Children can slip or fall off the Equipment and be injured or killed. Children can cause the Implement to shift or fall crushing themselves or others.

**NEVER** allow others within 20 feet while operating the post hole digger.

**NEVER** operate post hole digger without all guards in place.

**ALWAYS** ensure the driveline is securely locked onto the PTO.



# IMPORTANT SAFETY INFORMATION

## OPERATING SAFETY

**ALWAYS** operate this post hole digger from the tractor seat. Only one person should operate the digger.

**NEVER** attach the post hole digger with the tractor engine running.

**NEVER** operate the post hole digger with anyone near or in contact with any part of the implement, PTO driveline or auger. Serious injury or death could result from entanglement with moving parts.

**ALWAYS** make sure that the tractor brake is set before digging a hole.

**ALWAYS** keep hands, feet and clothing away from power-driven parts during operation.

**NEVER** manually position the auger or manually force the auger into the ground.

**ALWAYS** make sure that the tractor engine is shut off and the PTO drive is disengaged before leaving the tractor seat.

**NEVER** move the tractor with the power-take-off in the ON position.

**NEVER** exceed 540 RPM PTO operating speed.

**NEVER** operate the post hole digger when the auger point is more than 6 in. above ground level. Operating the digger in elevated positions may cause the PTO driveline "U" joints to bind resulting in equipment damage and operator injury.

**ALWAYS** turn off the digger immediately if an immovable object is encountered to prevent damage to the gear box or driveshaft and possible injury. A shear bolt is provided but may become welded to the input shaft if the driveshaft is left running after being sheared.

## TRANSPORTATION SAFETY

**NEVER** allow anyone to ride on Implement.

Make certain the slow moving (SMV) sign and other reflectors are clearly visible. Follow local traffic codes for slow moving vehicles when transporting on public roads.

## REPAIR AND MAINTENANCE SAFETY

**ALWAYS** perform maintenance operations such as lubrication, adjustments or repairs on the post hole digger with the tractor engine off, the PTO drive disengaged and the auger point resting on the ground.

**ALWAYS** use the correct shear bolt (Grade 5). **NEVER** use or replace the shear bolt with one that is longer than the one specified in the manual (5/16" x 2-1/2").

Periodically inspect all moving parts for wear and replace when necessary with authorized service parts. Look for loose fasteners, worn or broken parts, and leaky or loose fittings. Serious injury may occur from not maintaining this machine in good working order.

**Do not modify or alter this Implement. Do not permit another to modify or alter this Implement, any of its components or any Implement function. Any modification will void the warranty.**

## **ASSEMBLY INSTRUCTIONS**

**IMPORTANT:** The gear box is shipped without lubricant. Fill the top hole with 80W-90 lubricant or the equivalent. Fill until the lube appears at the side level check hole. Approximately two pints or two pounds of the lubricant is enough to lubricate the gears and bearings. A greater amount will not harm the gear box. Do not fill to overflow point as this may damage the seals.

**STEP 1:** Be certain that the gear box has adequate lubrication. Check the oil level after every fifty hours of use.

**STEP 2:** Attach the boom (1) to the top link mounting bracket on the tractor using a top link pin and a lynch pin (not provided) through the hole at the bottom of the boom.

**STEP 3:** Connect the "A" frame (5) to the tractor's 3-point lift arms using the 7/8 in. pull pins with nut and lockwasher (5A) as shown in the drawing. Attach the "A" frame (5) to the boom (1) after selecting the desired hole (for angle adjustment) using the "A" frame pin (6) and lynch pin (4).

**STEP 4:** Attach the gear box (10) to the boom (1) using the boom pin (2). When in place secure with cotter pins (3). **NOTE:** Input shaft shield (9) and output shaft shield (12) are already attached to the gear box.

**STEP 5:** Attach the auger (20, 21 or 22) to the output shaft on the bottom of the gear box (10) using the 1/2 in. hex cap screws (17), 1/2 in. lockwashers (18) and 1/2 in. hex nuts (19). Tighten the nuts.

**STEP 6:** Attach the driveline (13) to the gear box input shaft using the 5/16 in. grade 5 hex cap screw (14), the 5/16 in. lockwasher (15) and the 5/16 in. NC hex nut (16). Tighten the hex nut. Insert the 1/4 in. x 3/8 in. set screw from the hardware kit in the hole on the yoke that aligns with the 3/16 in. groove on the gear box input shaft. Tighten.

**ATTENTION:** THE 5/16 IN. HEX CAP SCREW PROVIDES SHEAR PROTECTION. USE A GRADE 5 2-1/2" BOLT ONLY TO AVOID DAMAGE TO THE GEAR BOX OR AUGER.

**IMPORTANT:** The universal joint should be greased with a good grade chassis lube every week. At the beginning of each season grease the sliding driveshaft members with a moly grease. All diggers are equipped with quick-detach universal joints on the power-take-off end for a 1-3/8 in. splined shaft.

**STEP 7:** Attach the tractor end of the driveline (13) to the tractor PTO shaft. Push in the spring-loaded pin in the splined yoke (13C) and slip it on the splined PTO shaft of the tractor. Release the pin and push until it locks securely in place.

**STEP 8:** Attach the manual canister (23) to the plate on the top of the boom (1) using the three 5/16 in. x 3/4 in. Grade 5 bolts. Tighten.

**STEP 9:** Attach the handle (8) to the gear box (10) and secure with the 5/16 in. set screw (11). Tighten.

**STEP 10:** Check all nuts and bolts for tightness. Stabilizers should be kept tight to avoid side sway of the digger.

**NOTE:** See illustration A for reference in assembling the digger and mounting it to the tractor. Note that the boom angle can be adjusted on your tractor for proper digging and ground clearance by moving the "A" frame to a different mounting hole as shown in illustration B.

**NOTE:** When the 7/8 in. diameter pull pins in the "A" frame are too small for the holes in the lift arms, bushings should be used to obtain a proper fit.



ILLUSTRATION A



ILLUSTRATION B

## **OPERATING INSTRUCTIONS**



***WARNING: Read and thoroughly understand all instructions and safety information before operating this post hole digger. Failure to do so may cause serious injury or death. Do not allow anyone to operate this post hole digger who has not read this manual.***

**STEP 1:** After mounting the digger to the tractor, lower the auger point slowly to the ground at the desired digging angle before engaging power.

**STEP 2:** Engage the power-take-off and start digging at a slow speed, lowering the auger slowly as it begins to dig.

**STEP 3:** Increase speed as the auger goes deeper. The type of soil will determine the proper auger speed. If the soil is extremely hard, it will generally improve operation to vary the speed of the auger at times.

**STEP 4:** When the auger has reached the desired depth, spin it momentarily at a high speed to clear the hole of dirt. Reduce speed before withdrawing the auger from the hole.

**STEP 5:** Disengage the power-take-off after withdrawing from the hole and move the tractor to the next hole location.

## **GENERAL MAINTENANCE**

REFER TO ILLUSTRATION C



***WARNING: Always perform maintenance operations with the tractor engine off, the PTO drive disengaged and the auger point resting on the ground.***

1. To remove the auger from the gear box output shaft, take out the two 1/2 in. x 3 in. hex cap screws (17).
2. To remove the driveshaft from the gear box input shaft, take out the shear pin bolt (14) and 1/4 in. set screw (13E).
3. To remove the auger control handle (8), loosen the 5/16 in. set screw (11) in the side of the gear box (10).
4. Check the oil level after every fifty hours of use. Use 80W-90 lubricant and fill to oil level plug. All replacement lubricant should be of this type.
5. The universal joints should be greased with a good grade chassis lube every week. At the beginning of each season, grease the sliding driveshaft members with a moly grease.



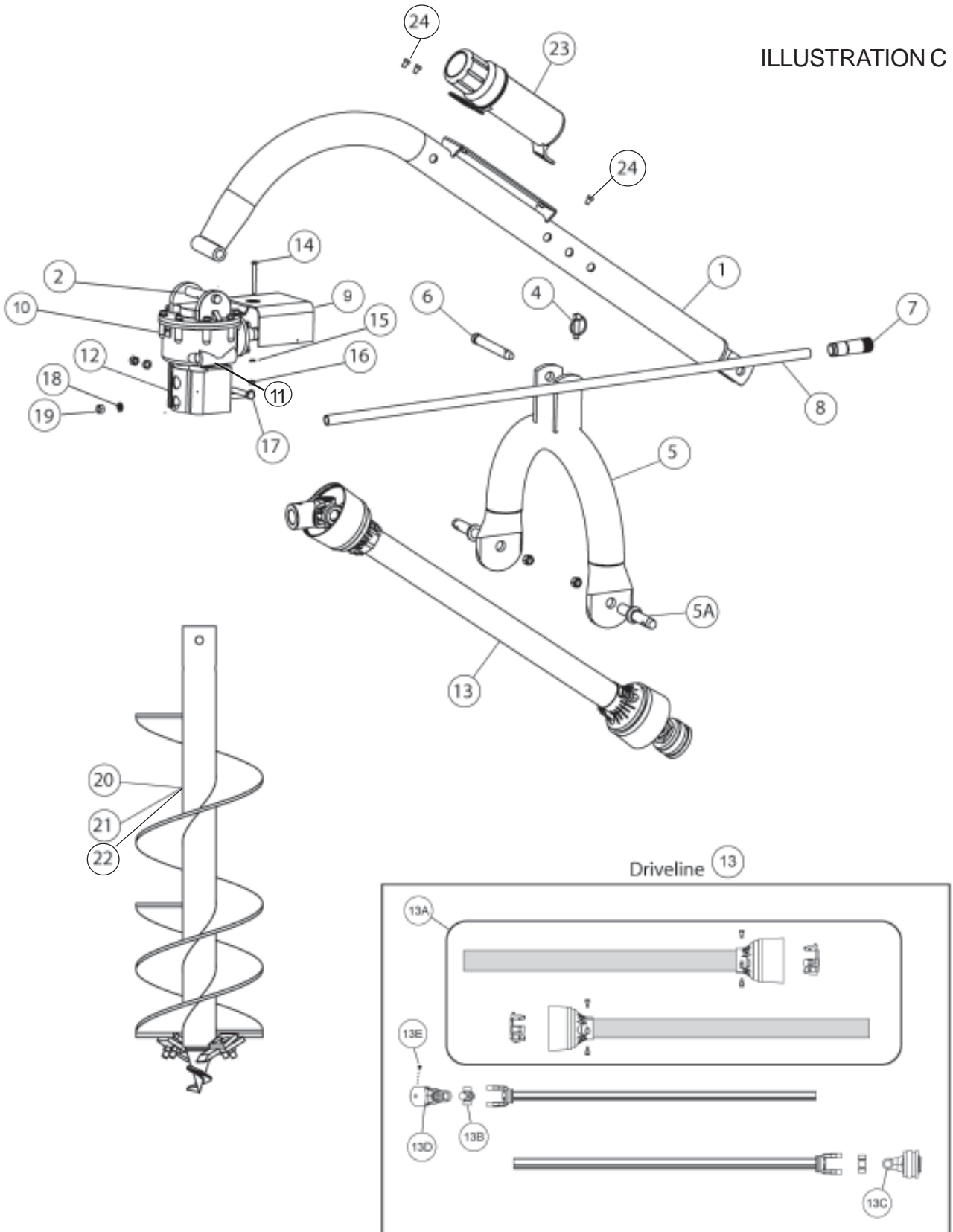
## PHD065 POST HOLE DIGGER PARTS BREAKDOWN

REFERENCE NUMBER	PART NUMBER	DESCRIPTION	NUMBER REQUIRED
	PHD065	Post Hole Digger less Auger	1
1	240840B0	Boom	1
2	24082300	Boom Pin	1
3	O/L	5/32 in. x 1-1/2 in. Cotter Pin	2
4	07090100	7/16 in. Lynch Pin	1
5	240839B0	"A" Frame	1
5A	07020800	7/8 in. Pull Pin with Nut and Lockwasher	2
6	07071500	"A" Frame Pin	1
7	24082200	Handle Grip	1
8	24084100	Control Rod	1
9	24075100	Gear Box Input Guard	1
10	240701AS	Gear Box Assembly	1
11	O/L	5/16 in. Set Screw for Control Rod (installed in gear box))	1
12	24070700	Gear Box Output Guard	
13	24116000	Driveline with Plastic Shield	1
13A	24116300	Guard Assembly	1
13B	240615HZ	Cross and Bearing Kit	2
13C	241128HZ	Push Pin Yoke	1
13D	24116200	Slide Collar Yoke Assembly	1
13E	O/L	1/4 in. x 3/8 in. Pointed Set Screw	1
14	O/L	5/16 in. x 2-1/2 in. Hex Cap Screw (Grade 5 Shear Bolt)	1
15	O/L	5/16 in. Lockwasher	1
16	O/L	5/16 in. NC Hex Nut	1
17	O/L	1/2 in. NC x 3-1/4 in. Hex Cap Screw	2
18	O/L	1/2 in. Lockwasher	2
19	O/L	1/2 in. NC Hex Nut	2
20	240515A0	6 in. Auger with Screw Point and Cutting Edges	as required
21	240525A0	9 in. Auger with Screw Point and Cutting Edges	as required
22	240535A0	12 in Auger with Screw Point and Cutting Edges	as required
23	24087600	Manual Canister	1
24	O/L	5/16 in. x 1 in. Bolt	3

O/L- Obtain locally. Common fasteners available through hardware and farm stores.

# PHD065 POST HOLE DIGGER

ILLUSTRATION C

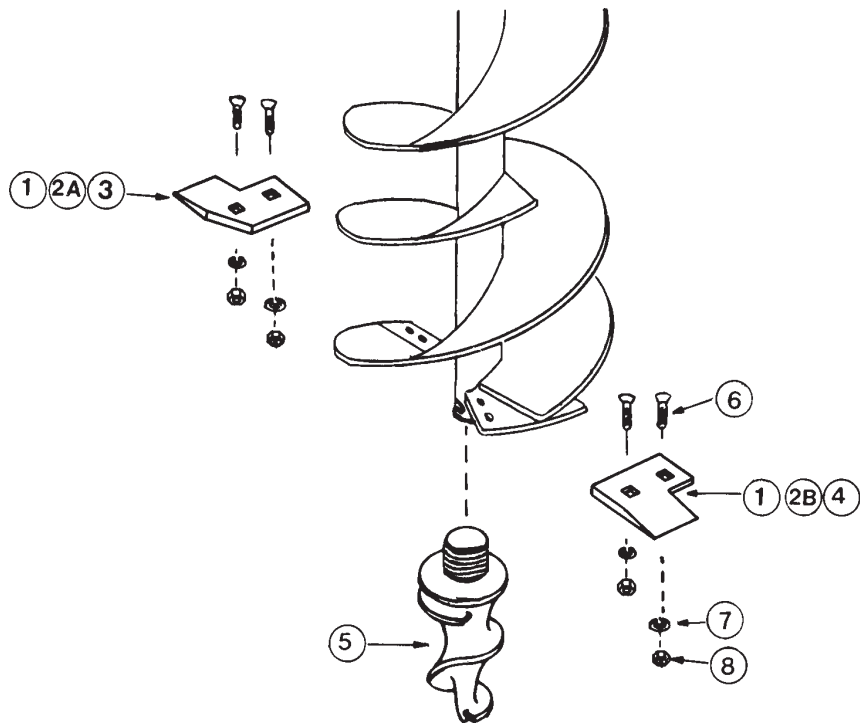


**NEVER** operate the digger with any shield missing.

# CUTTING EDGES AND POINT PARTS BREAKDOWN

REFERENCE NUMBER	PART NUMBER	DESCRIPTION	NUMBER REQUIRED
1	24056700	6 in. Cutting Edge	2
2A	24057700	9 in. Outer Cutting Edge	1
2B	24057800	9 in. Inner Cutting Edge	1
3	24058700	12 in. Outer Cutting Edge	1
4	24058800	12 in. Inner Cutting Edge	1
5	24059200	Screw Point with 1-1/4 in. NC Threads	1
6	O/L	3/8 in. NC x 1-1/4 Carriage Bolt	4
7	O/L	3/8 in. Lockwasher	4
8	O/L	3/8 in. NC Hex Nut	4
--	240567ZBU	6 in. Cutting Edge Set	1
--	240579ZBU	9 in. Cutting Edge Set	1
--	240589ZBU	12 in. Cutting Edge Set	1

O/L- Obtain locally. Common fasteners available through hardware and farm stores



**ILLUSTRATION D**

**NOTE:** It is important to replace the self-sharpening point on the auger when it shows signs of excessive wear. Generally, the digging life of the point will be greater than that of the inner cutting edge. The digging life of the inner cutting edge will be greater than that of the outer cutting edge since it covers fewer inches of digging circumference.

## SPECIFICATIONS

Tractor Category	Category 1 or 2
Gear Box	Special alloy pinion gears and tapered roller bearings on both sides of each gear
Gears	Heat-treated to Rockwell C30-40 to a depth of .030-.040
Driveline	Equipped with quick-tach yoke to fit standard 6-spline PTO (completely shielded)
Cutting edges	Beveled, high carbon steel, replaceable
Augers	6 in., 9 in. and 12 in. sizes available that all dig to a full depth of 45 in. Anti-auger plates to prevent it from screwing into soft soils
Boom	2-7/8 in. O.D. high strength tubing
A-frame	2-7/8 in. high strength tubing
Safety shields	On driveline, gear box "U" joint and gear box output shaft
Shear pin	On input shaft to protect driveline, auger and gears. Replaceable.

## ORDERING INFORMATION

PART NUMBER	DESCRIPTION
24044000	Model 65 post hole digger less auger
240515A0	6 in. auger with screw point and replaceable cutting edges
240525A0	9 in. auger with screw point and replaceable cutting edges
24052900	9 in. heavy duty auger with screw point and replaceable cutting edges
240535A0	12 in. auger with screw point and replaceable cutting edges
24053600	12 in. heavy duty auger with screw point and replaceable cutting edges
24059200	Screw point
24567ZBU	6 in. cutting edge set
24579ZBU	9 in. cutting edge set
24589ZBU	12 in. cutting edge set



2630 S Jefferson  
Mt. Pleasant, TX 75456-1540  
(800)527-8616 (903)572-1741