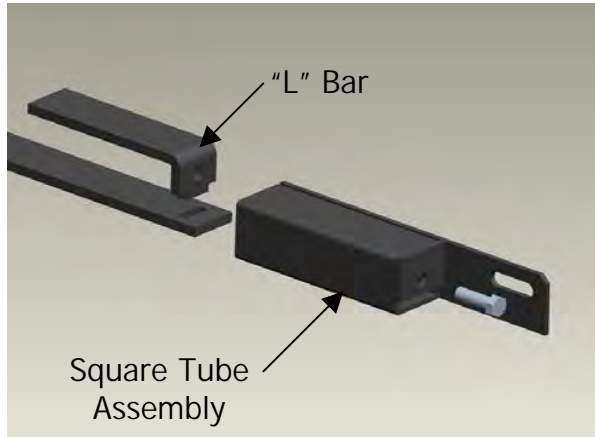
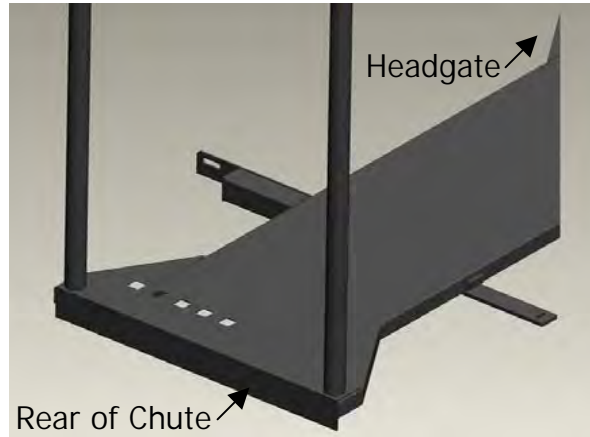


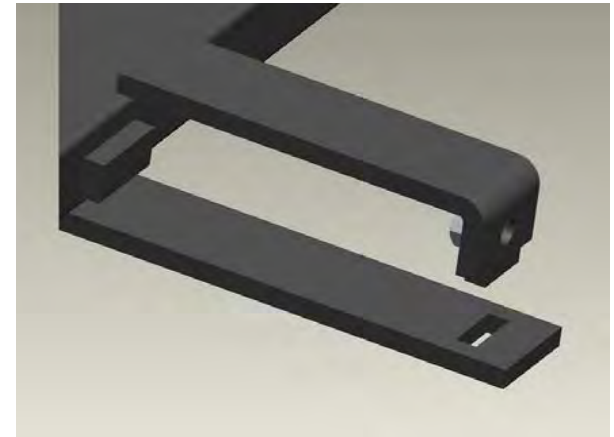
Squeeze Chute Carriage Axle Instructions



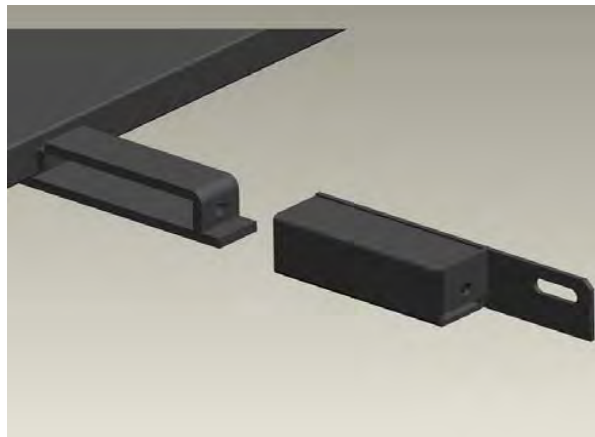
Step 1: Un-bolt and remove square tube assembly, and the "L" bar.



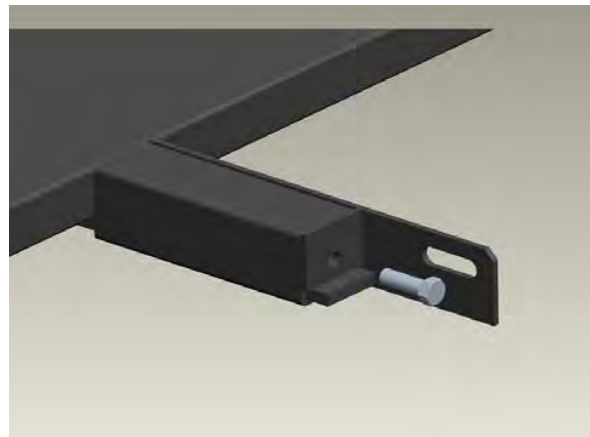
Step 2: Slide Axle under Chute and rest square tube on the tab mounted on the side of the floor.



Step 3: Insert tab of the "L" bar into the hole of the Axle.



Step 4: Slide square tube assembly over the "L" bar and Carriage Axle.

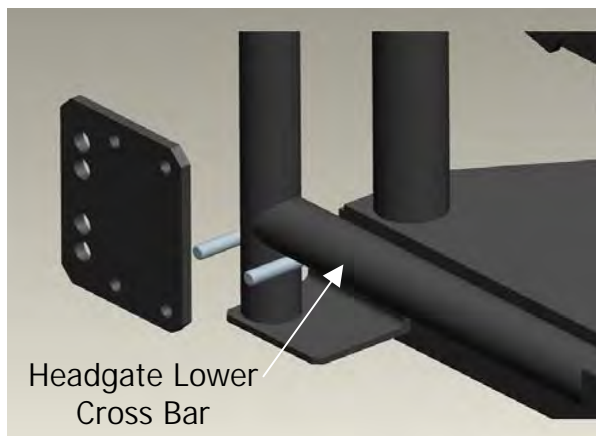


Step 5: Insert bolt and secure tightly.

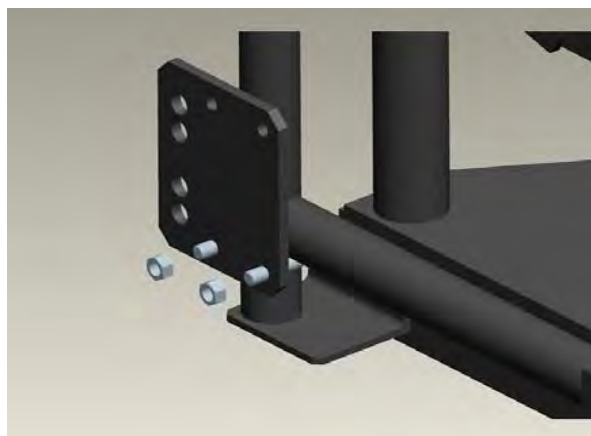


This concludes the Squeeze Chute Carriage Axle installation process.

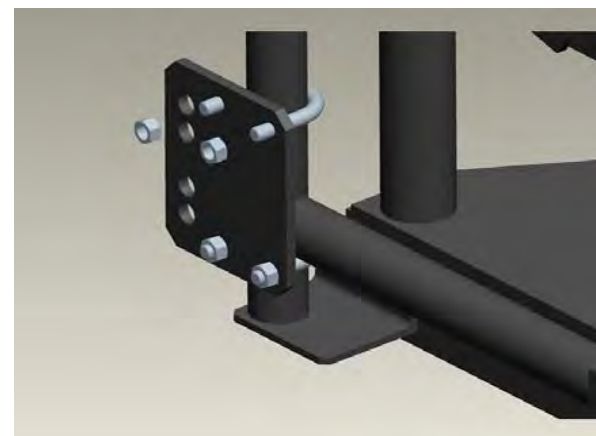
Squeeze Chute Carriage Attachment Plate Instructions



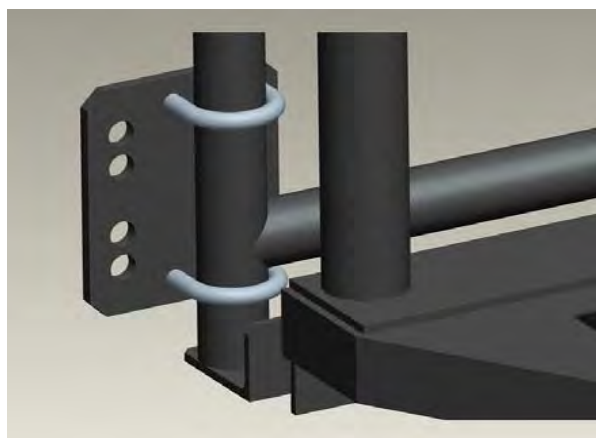
Step 1: Position "U" bolt directly under the Headgate Lower Cross Bar.



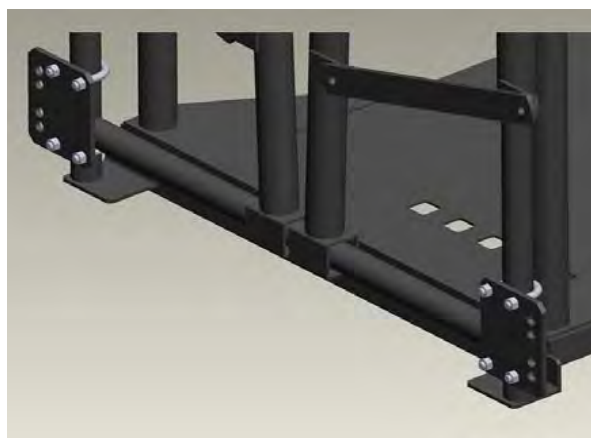
Step 2: Slide Attachment Plate over "U" bolt and tighten nuts.



Step 3: Insert "U" bolt in upper holes of Attachment Plate and tighten nuts.



Step 4: Repeat previous steps to install Attachment Plate on opposite side of Headgate.



This concludes the Squeeze Chute Carriage Attachment Plate installation process.

Thank you for
choosing a Priefert™
Product.