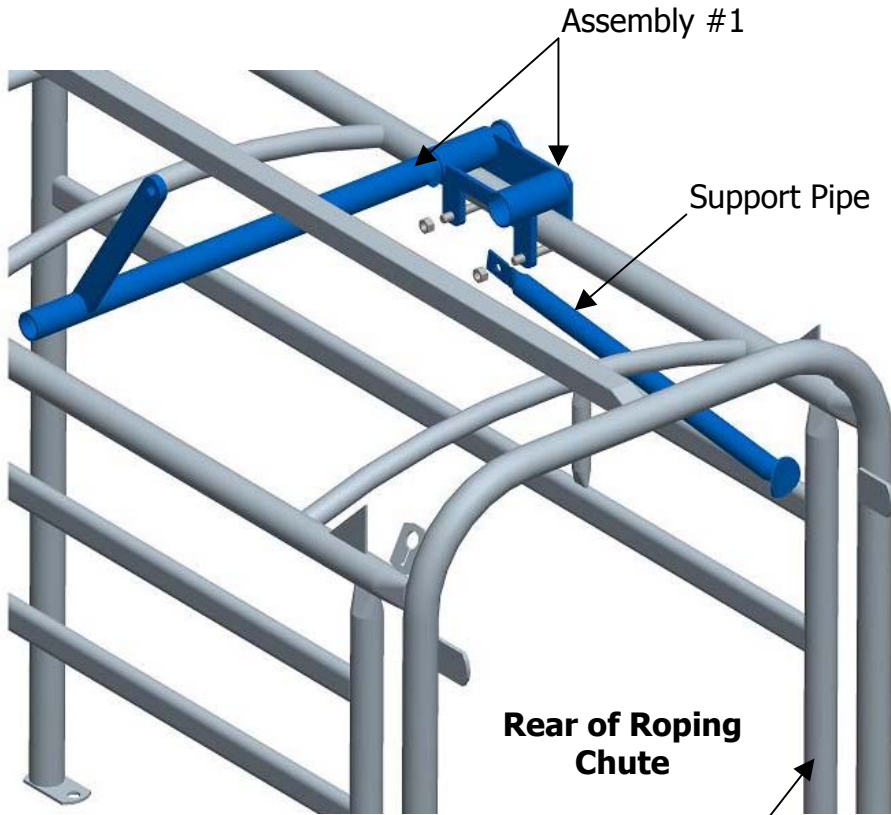


STEER PUSHER ASSEMBLY INSTRUCTIONS



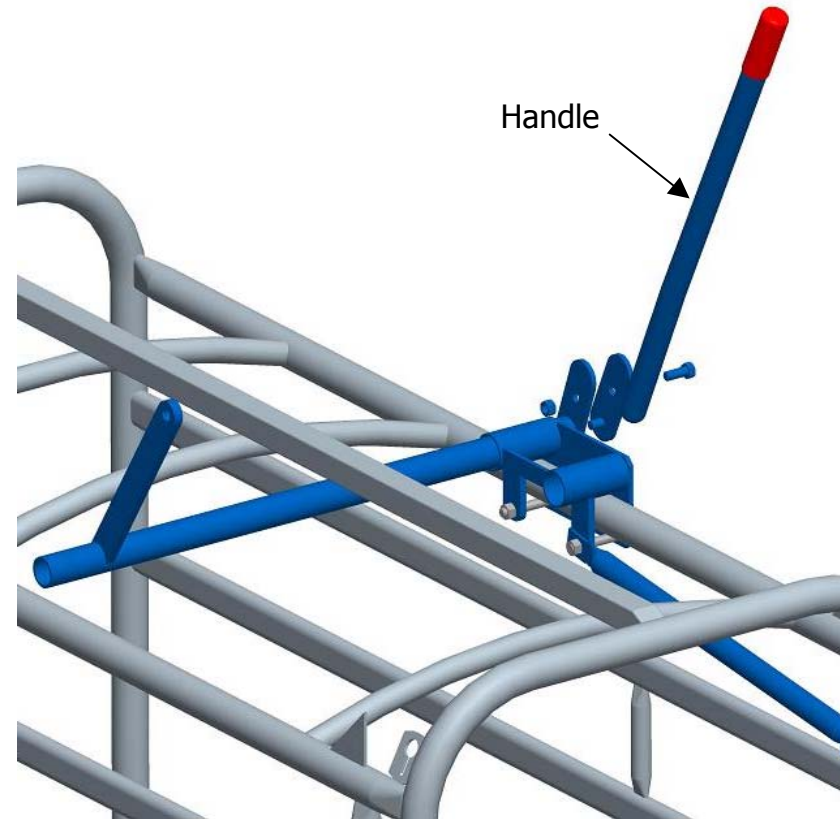
STEER PUSHER ASSEMBLY INSTRUCTIONS



Rest support pipe against this vertical pipe on the Roping Chute

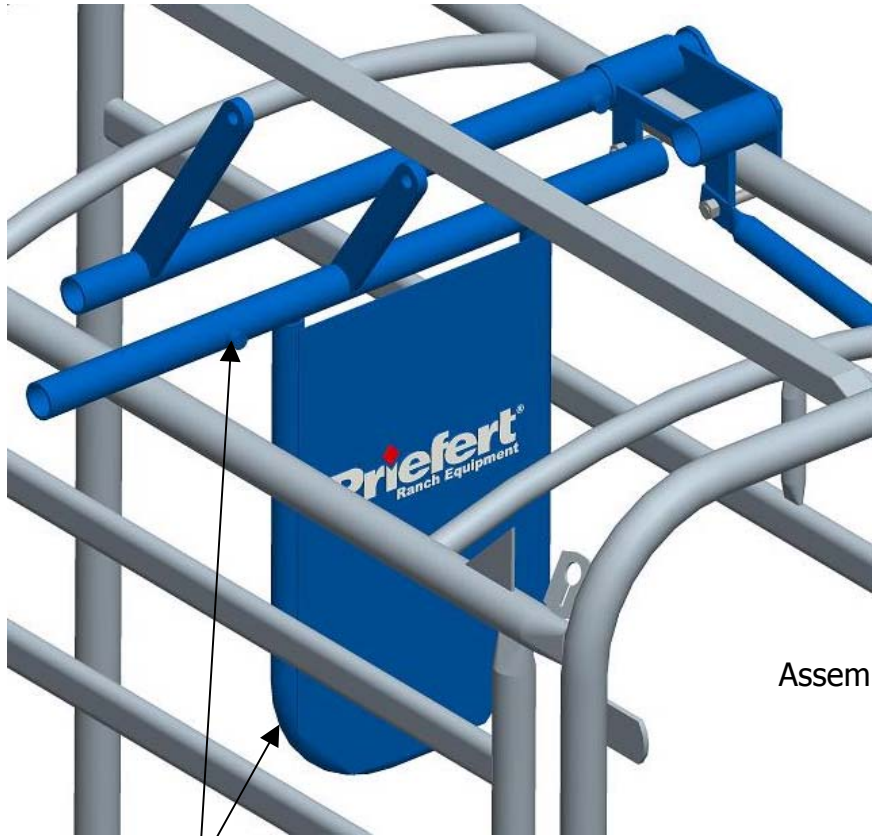
Step 1: Take the Steer Pusher Assembly #1 and place it onto the Roping Chute. Next insert the 1/2"x3-1/2" bolts to hold the Assembly in place.

Step 2: Take the Support Pipe and set it into place against the vertical pipe at the rear of the Roping Chute. Then attach it to Assembly #1 by using the 1/2" nuts provided.



Step 3: Rotate Assembly #1 up so that you can secure the Handle to it using the 1/2"x1-1/4" bolt provided.

STEER PUSHER ASSEMBLY INSTRUCTIONS

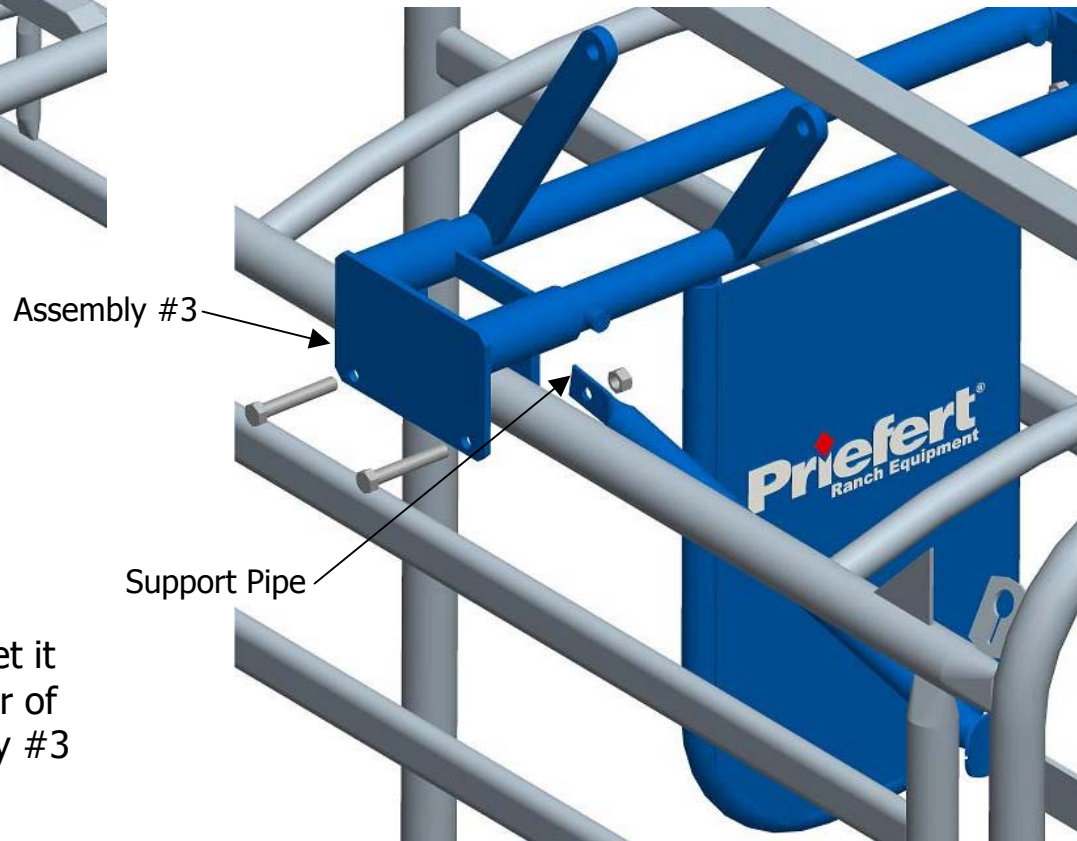


Assembly #2

Step 6: Take the other Support Pipe and set it into place against the vertical pipe at the rear of the Roping Chute. Then attach it to Assembly #3 by using the 1/2" nuts provided.

Step 4: Take Steer Pusher Assembly #2 and insert it into Assembly #1.

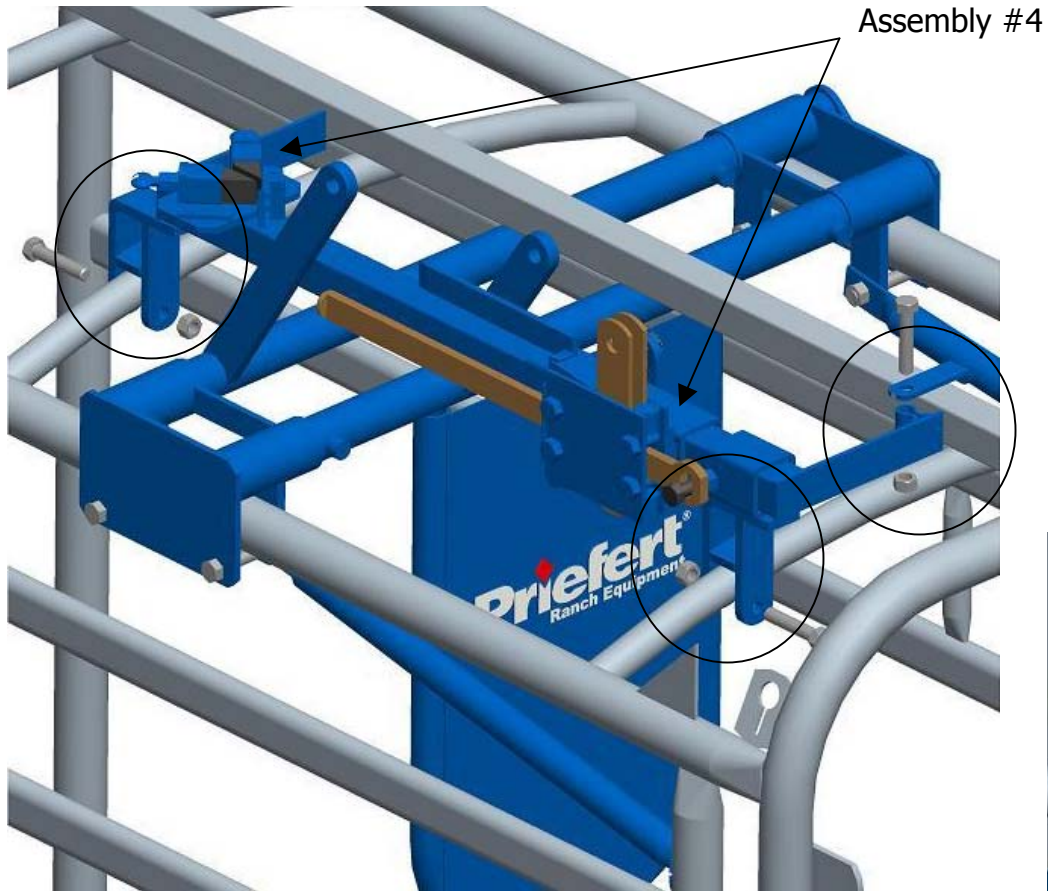
Step 5: Take Steer Pusher Assembly #3 and insert Assembly's #1 and #2 into it, then place it down onto the Roping Chute. Insert the 1/2"x3-1/2" bolts to hold the Assembly in place.



Assembly #3

Support Pipe

STEER PUSHER ASSEMBLY INSTRUCTIONS

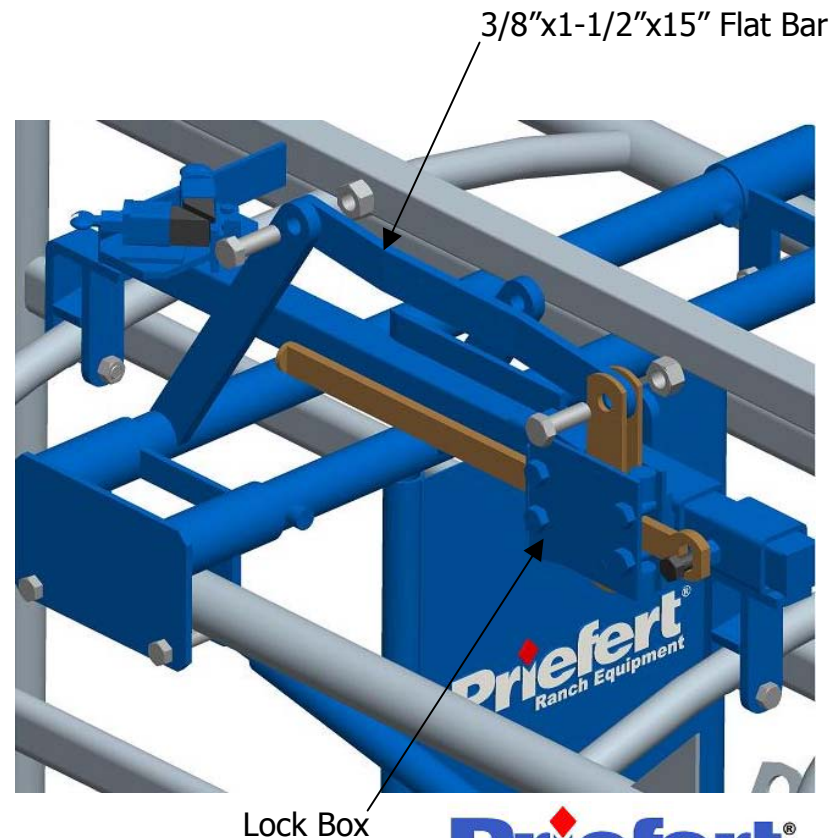


Step 7: Take Steer Pusher Assembly #4 and place it onto the Roping Chute's top arched bars.

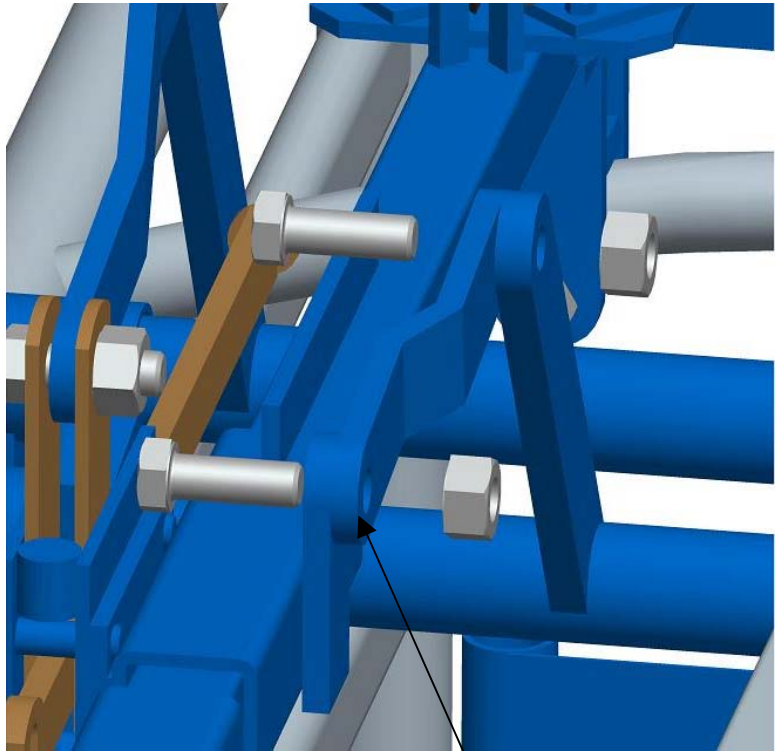
Step 8: Secure it into place at the three circled locations using the 1/2"x2-1/2" bolts provided.

Step 9: Take the 3/8"x1-1/2"x15" bent Flat Bar and attach it on the inside of the flat bar on Assembly #1 and in between the two ears of the Lock Box with the 5/8"x1-1/2" bolts provided.

NOTE: The bend in the flat bar should be towards the inside when installed.



STEER PUSHER ASSEMBLY INSTRUCTIONS



3/8"x1-1/2"x8-1/2"
Flat Bar

NOTE: The bend in the flat bar should be towards the inside when installed.

**Thank you for
choosing a Priefert™
Product.**

Step 10: Take the 3/8"x1-1/2"x8-1/2" bent Flat Bar and attach it on the inside of the flat bar on Assembly #2 and on the outside of Assembly #4 using the 5/8"x1-1/2" bolts provided. This concludes the Steer Pusher Installation Process.

