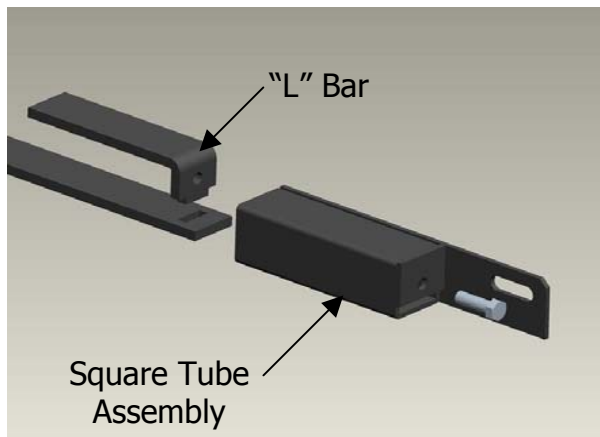
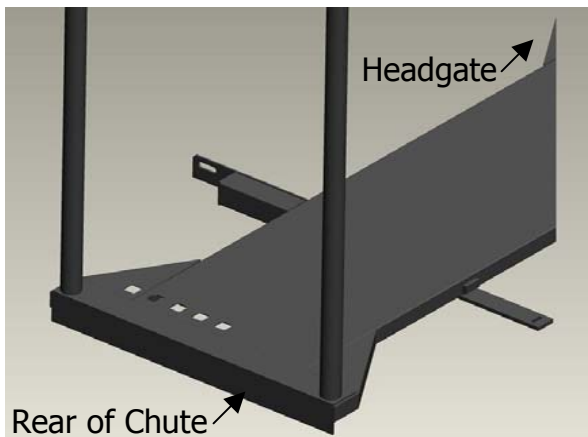


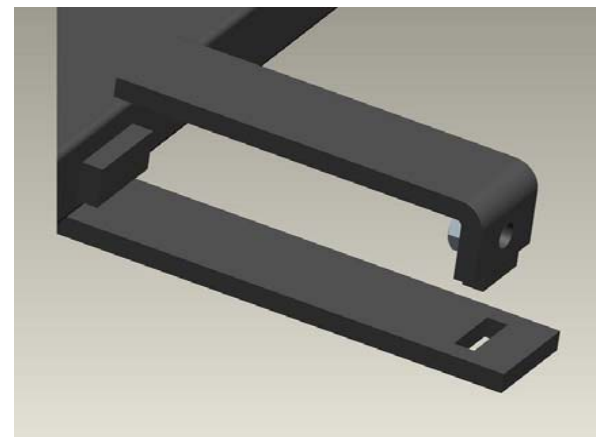
# Squeeze Chute Carriage Axle Instructions



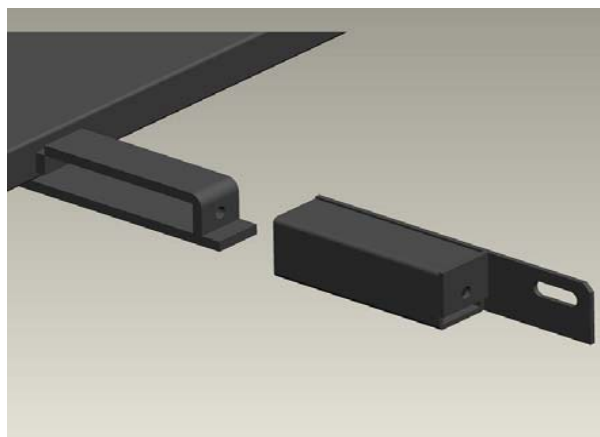
**Step 1:** Un-bolt and remove square tube assembly, and the "L" bar.



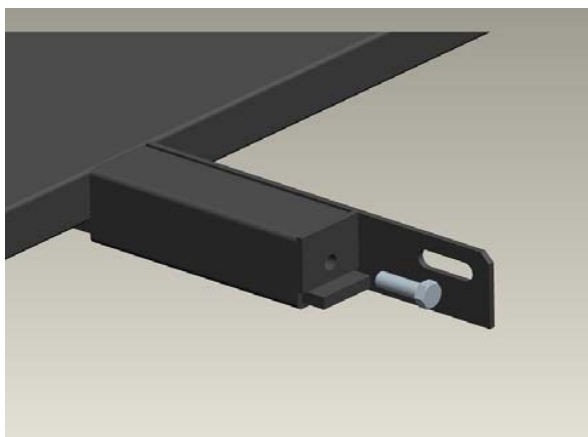
**Step 2:** Slide Axle under Chute and rest square tube on the tab mounted on the side of the floor.



**Step 3:** Insert tab of the "L" bar into the hole of the Axle.



**Step 4:** Slide square tube assembly over the "L" bar and Carriage Axle.

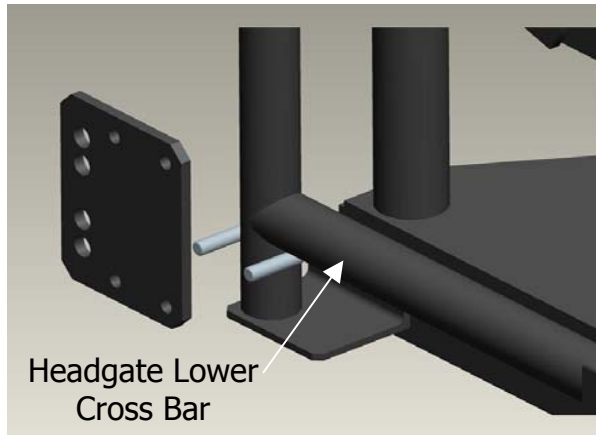


**Step 5:** Insert bolt and secure tightly.

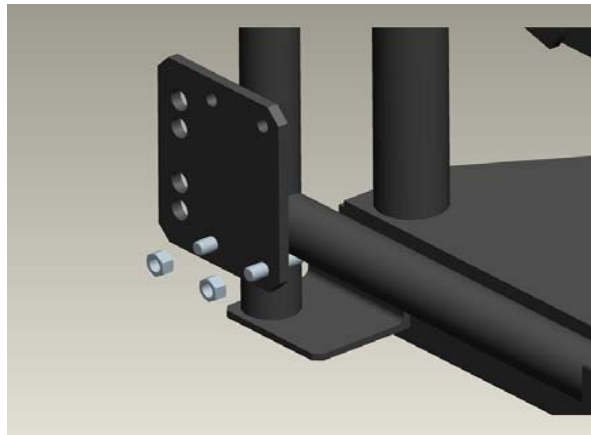


This concludes the Squeeze Chute Carriage Axle installation process.

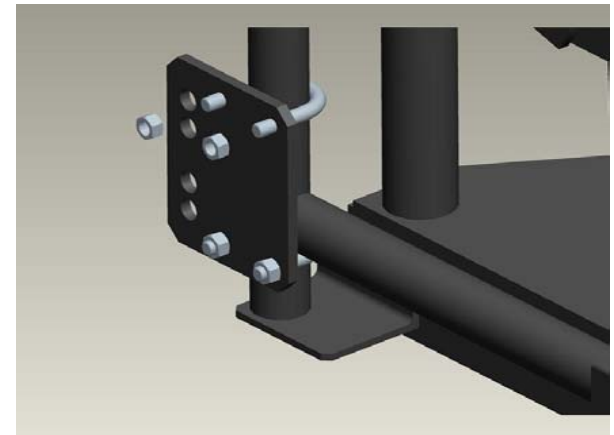
# Squeeze Chute Carriage Attachment Plate Instructions



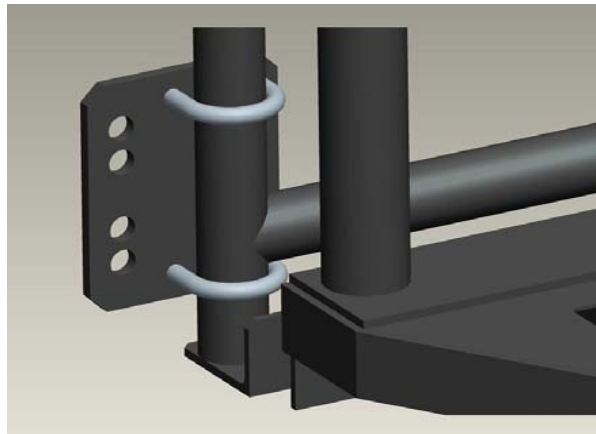
**Step 1:** Position "U" bolt directly under the Headgate Lower Cross Bar.



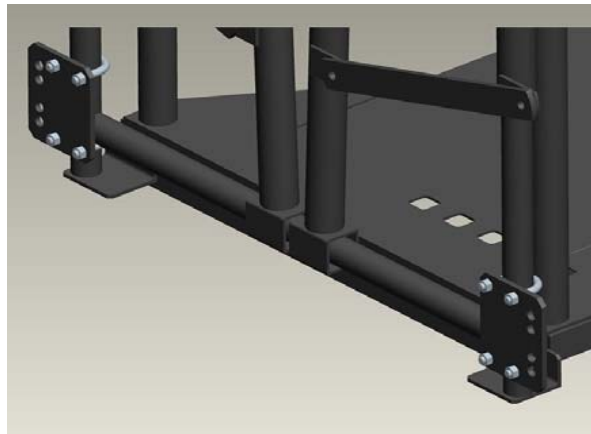
**Step 2:** Slide Attachment Plate over "U" bolt and tighten nuts.



**Step 3:** Insert "U" bolt in upper holes of Attachment Plate and tighten nuts.



**Step 4:** Repeat previous steps to install Attachment Plate on opposite side of Headgate.



This concludes the Squeeze Chute Carriage Attachment Plate installation process.

Thank you for  
choosing a Priefert™  
Product.